

B

Sl. No. : CCC

ಒಟ್ಟು ಪ್ರಶ್ನೆಗಳ ಸಂಖ್ಯೆ : 5]

[ಒಟ್ಟು ಮುದ್ರಿತ ಪುಟಗಳ ಸಂಖ್ಯೆ : 8

Total No. of Questions : 5]

[Total No. of Printed Pages : 8

ಸಂಕೇತ ಸಂಖ್ಯೆ : **72****CCE RR
UNREVISED****Code No. : 72**

ಇಲ್ಲಿಂದ ಕತ್ತರಿಸಿ

ವಿಷಯ : ಇಂಜಿನಿಯರಿಂಗ್ ಡ್ರಾಯಿಂಗ್

Subject : ENGINEERING DRAWING

(ಹಳೆಯ ಪಠ್ಯಕ್ರಮ / Old Syllabus)

(ಪುನರಾವರ್ತಿತ ಶಾಲಾ ಅಭ್ಯರ್ಥಿ / Regular Repeater)

ದಿನಾಂಕ : 23. 03. 2019]

[Date : 23. 03. 2019

ಸಮಯ : ಮಧ್ಯಾಹ್ನ-2-00 ರಿಂದ 5-15 ರವರೆಗೆ] [Time : 2-00 P.M. to 5-15 P.M.

ಗರಿಷ್ಠ ಅಂಕಗಳು : 50]

[Max. Marks : 50

General Instructions to the Candidate :

1. This Question Paper consists of 5 objective and subjective types of questions.
2. This question paper has been sealed by reverse jacket. You have to cut on the right side to open the paper at the time of commencement of the examination. Check whether all the pages of the question paper are intact.
3. Follow the instructions given against both the objective and subjective types of questions.
4. Figures in the right hand margin indicate maximum marks.
5. The maximum time to answer the paper is given at the top of the question paper. It includes 15 minutes for reading the question paper.

TEAR HERE TO OPEN THE QUESTION PAPER

ಪ್ರಶ್ನೆ-ಪತ್ರಿಕೆಯನ್ನು ತೆರೆೆಯಲು ಇಲ್ಲಿ ಕತ್ತರಿಸಿ

Tear here

RR(B)-5006

[Turn over

- Instructions :*
- i) Answer *all* the questions.
 - ii) Retain the constructional details.
 - iii) All dimensions are in mm.
 - iv) Use first angle projection only.
 - v) Missing dimensions may be assumed.
 - vi) All drawings should be drawn in drawing sheet only.

1. a) Fill in the blanks with the correct figure/word(s) by selecting from the choices given in the brackets : $5 \times 1 = 5$

i) Dimension lines are drawn as

(*thin lines, thick lines, dashed narrow lines*)

ii) The scale used for measuring in three systems of units is

(*plain scale, diagonal scale, comparative scale*)

iii) Heptagon has sides.

(*six, seven, nine*)

- iv) In an orthographic projection the plan is obtained of a plane called

(*vertical plane, profile plane, horizontal plane*)

- v) Eccentricity of ellipse is one.

(*less than, greater than, equal to*)

- b) Match the following :

5 × 1 = 5

Group A

Group B

- | | |
|--------------------|----------------|
| i) B. S. W. thread | a) 47.5 degree |
| ii) B. A. thread | b) 29 degree |
| iii) Square thread | c) 45 degree |
| iv) Acme thread | d) 55 degree |
| v) Metric thread | e) 90 degree |
| | f) 60 degree. |

2. a) Print the following in single stroke inclined capital letters of height 18 mm with 6 : 5 ratio. 5

'TURBINE'

- b) Construct a plain scale of R.F. = 1/100 to show metres and decimetres and long enough to measure up to 10 metres. 5
3. a) Construct an ellipse when the major axis is 130 mm and the distance between the two focal points is 100 mm apart. (Intersecting arc method) 5

- b) Construct a parabola in a rectangle of sides 150 mm × 100 mm.

5

4. The pictorial view of an object is shown in figure No. 1. Draw the following orthographic views and mark the dimensions. 10

- (i) Front view — Looking in the direction of arrow 'X'

(ii) Top view — Looking in the direction of arrow 'Y'

(iii) Side view — Looking in the direction of arrow 'Z'.

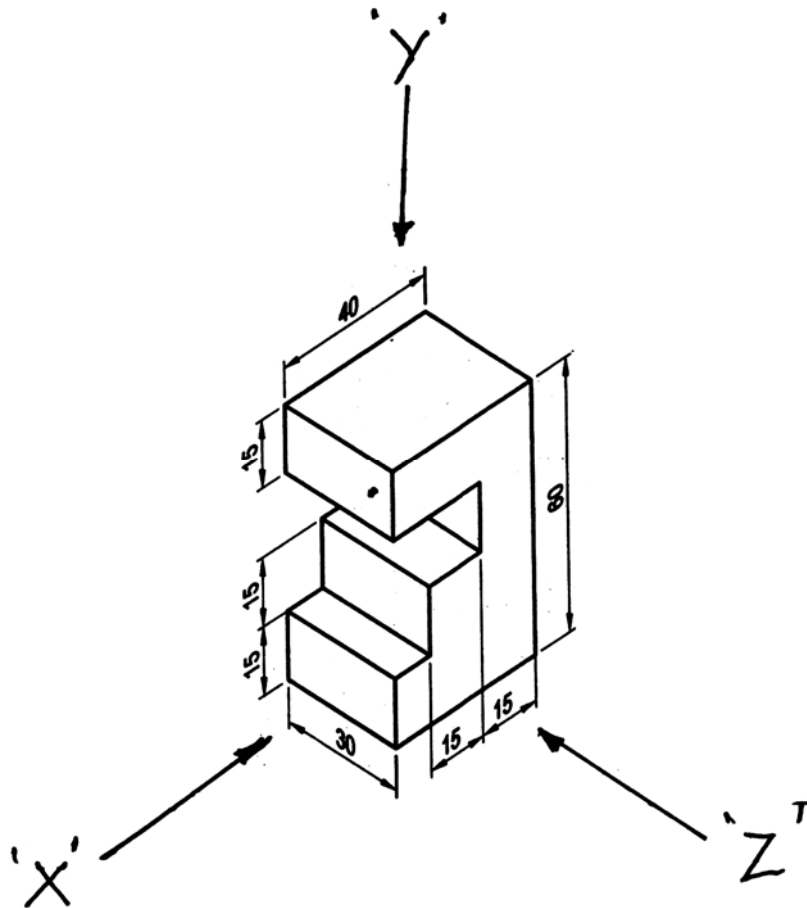


Figure No. 1

OR

The pictorial view of an object is shown in figure No. 2. Draw the following orthographic views and mark the dimensions.

10

- (i) Front view — Looking in the direction of arrow 'X'
- (ii) Top view — Looking in the direction of arrow 'Y'
- (iii) Side view — Looking in the direction of arrow 'Z'.

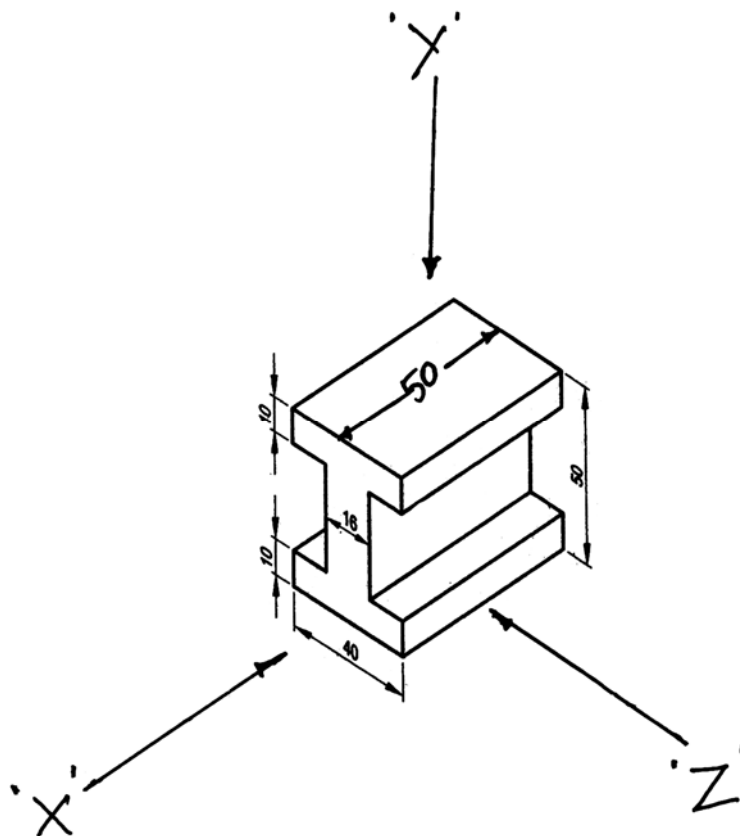
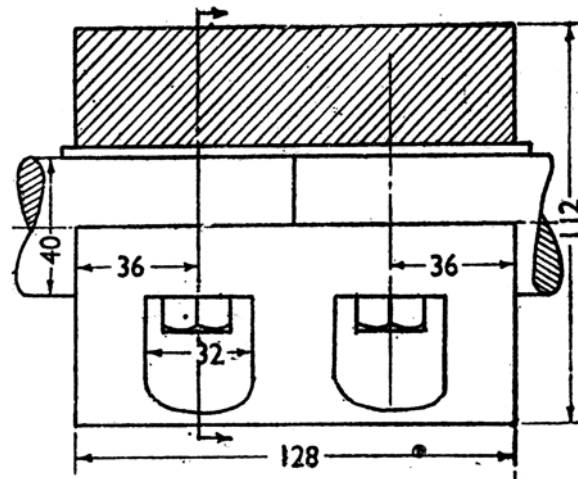


Figure No. 2

5. Figure No. 3 shows the sectional elevation of split-muff coupling. Draw the sectional elevation of split-muff coupling to full size (1 : 1 size) and mark dimensions.



SPLIT-MUFF COUPLING

Figure No. 3

